

T-45-19-05

SP8665B 1000MHz + 10

SP8668B 1500MHz + 10

The SP8665/8 are asynchronous ECL counters which provide ECL compatible outputs. They feature an ECL compatible input inhibit which simplifies the design of frequency counters and other instrumentation.

FEATURES

- ECL Compatible Output
- AC Coupled Input
- Clock inhibit input

QUICK REFERENCE DATA

- Supply Voltage: -8.8V
- Power Consumption: 500mW
- Temperature Range: 0°C to +70°C

ABSOLUTE MAXIMUM RATINGS

Supply voltage	-8V
Output current	20mA
Storage temperature range	-55°C to +150°C
Max. junction temperature	+175°C
Max. clock I/P voltage	2.5V p-p

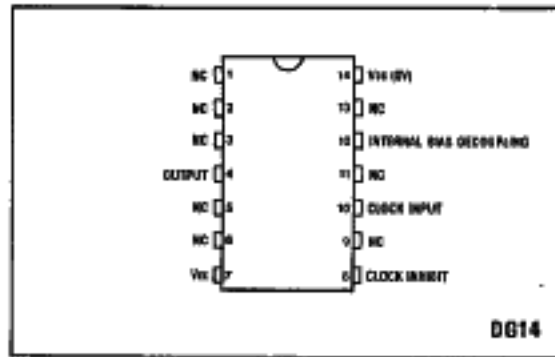


Fig.1 Pin connections - top view

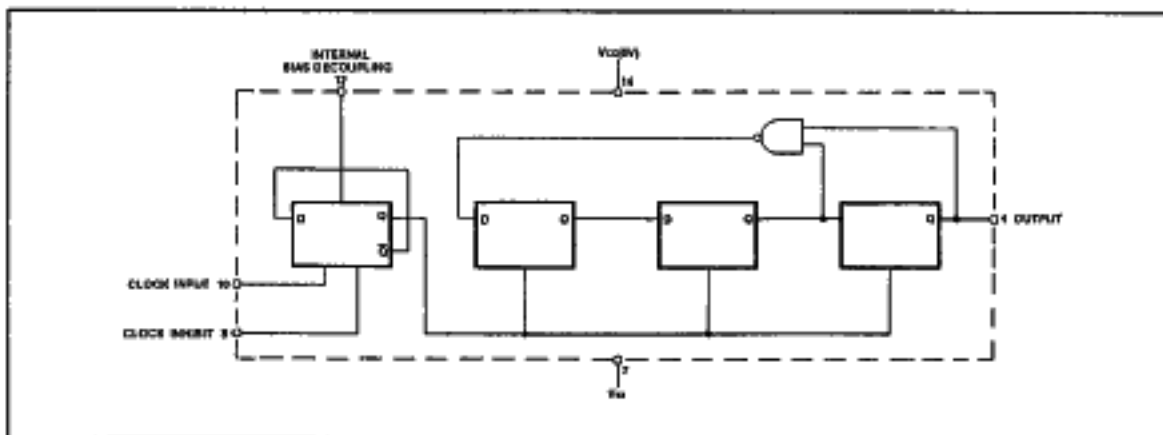


Fig.2 Functional diagram

ELECTRICAL CHARACTERISTICS

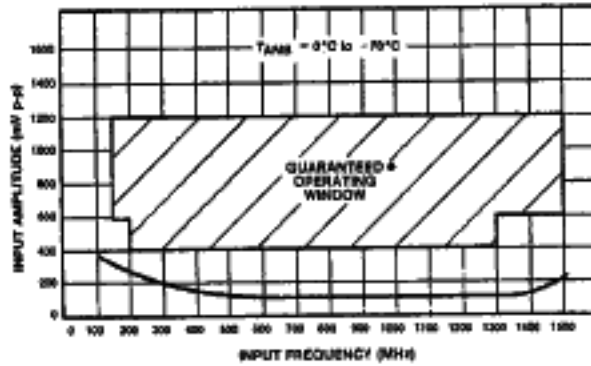
Supply voltage: $V_{CC} = 0V$ $V_{EE} = -6.8V \pm 0.3V$
 T_{amb} (B grade) = $0^{\circ}C$ to $+70^{\circ}C$

T-45-19-05

Characteristic	Symbol	Value		Units	Grade	Conditions	Notes
		Min.	Max.				
Maximum frequency(sine wave I/P)	f_{max}	1.0		GHz	SP6665B	Input = 400-1200mV p-p	Note 5
		1.5		GHz	SP6666B	Input = 600-1200mV p-p	Note 5
Minimum frequency(sine wave I/P)	f_{min}		150	MHz	All	Input = 600-1200mV p-p	Note 6
Current consumption	I_{EE}		105	mA	All	$V_{EE} = -6.8V$	Note 6
Output low voltage	V_{OL}	-1.87	-1.5	V	All	$V_{EE} = -6.8V$ (25°C)	
Output high voltage	V_{OH}	-0.87	-0.7	V	All	$V_{EE} = -6.8V$ (25°C)	
Minimum output swing	V_{OUT}	500		mV	All		Note 5
Clock inhibit high threshold voltage	V_{INH}	-0.96		V	All	$V_{EE} = -6.8V$ (25°C)	
Clock inhibit low threshold voltage	V_{INL}		-1.62	V	All	$V_{EE} = -6.8V$ (25°C)	

NOTES

1. Unless otherwise stated the electrical characteristics are guaranteed over specified supply, frequency and temperature range.
2. The test configuration for dynamic testing is shown in Fig.8.
3. The temperature coefficient of $V_{OH} = +1.3mV/^{\circ}C$ and $V_{OL} = +0.5mV/^{\circ}C$ but these are not tested.
4. The temperature coefficient of $V_{INL} = +0.8mV/^{\circ}C$ but this is not tested.
5. Tested at 25°C and 70°C only.
6. Tested at 25°C only.



* Tested as specified in table of Electrical Characteristics

Fig.3 Typical input characteristic SP6665. The SP6666 operating window is similar except for the maximum operating frequency

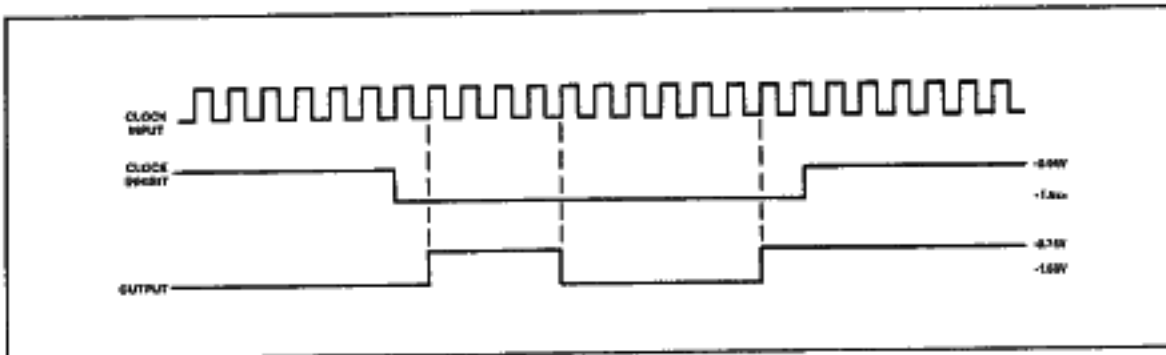


Fig.4 Timing diagram (N.B. output waveform is asymmetric)

OPERATING NOTES

1. The clock input (pin 10) should be capacitively coupled to the signal source. The input signal path is completed by connecting a capacitor from the internal bias decoupling, pin 12, to ground.
2. If no signal is present the device will self-oscillate. If this is undesirable it may be prevented by connecting a 15k resistor from the input to V_{cc} (i.e. Pin 10 to Pin 7). This will reduce the input sensitivity by approximately 100mV.
3. The clock inhibit input is compatible with standard ECL III/10K using a common 0V. A 6k pull-down resistor is included on the chip. The input should be left open to DC

- when not in use, but should be bypassed for RF signals with a 1nF capacitor to ensure maximum noise immunity.
4. Input impedance is a function of frequency. See Fig. 5.
5. The emitter follower output includes an internal 3k pull-down resistor and is compatible with ECL II, but can be interfaced with ECL III/10K by the inclusion of two resistors. See Fig. 7.
6. Note that all components should be suitable for the frequency in use.
7. The circuit will operate to DC but the input slewrate must be 200V/ μ s or greater.

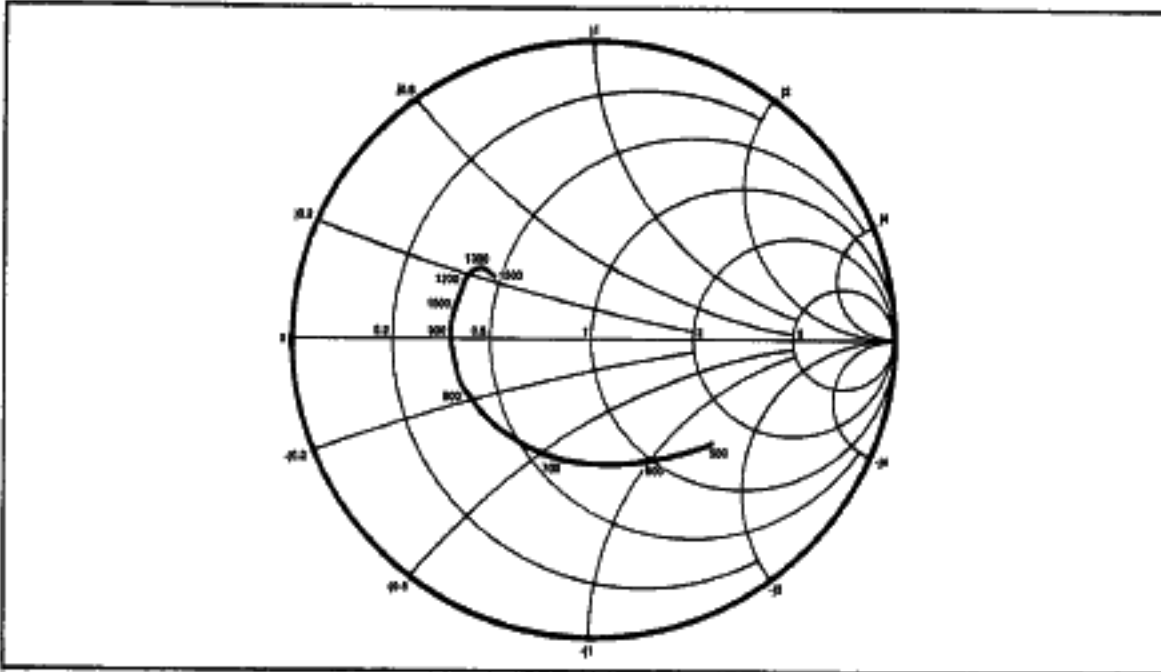


Fig.5 Typical Input Impedance. Test conditions: supply voltage -5.8V, ambient temperature 25°C, frequencies in MHz, impedances normalised to 50 ohms.

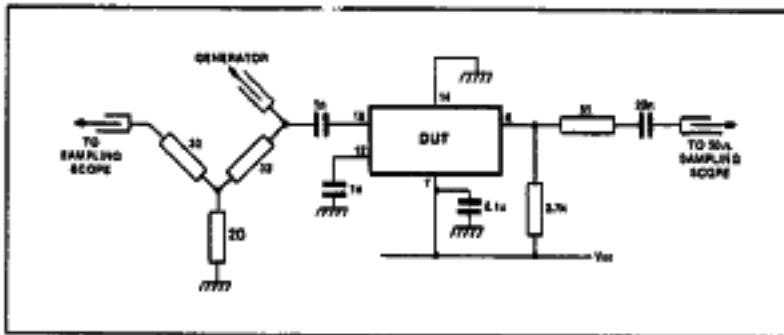


Fig.6 Test circuit

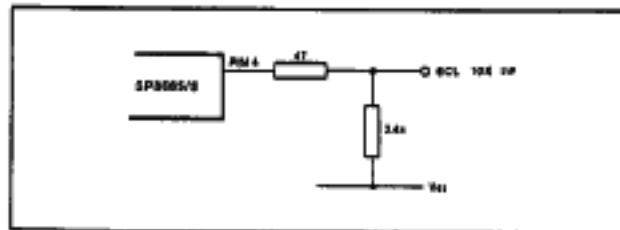


Fig.7 SP6885/8 to ECL 10K interface

T-45-19-05

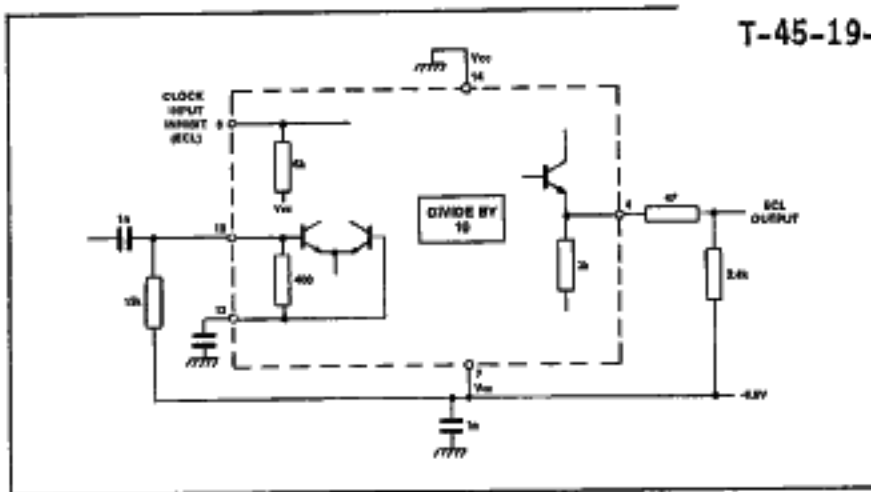


Fig.8 Typical application showing interfacing